

HY-M900 / HY-LM900 series

Limit switch

- Solid die casting case and built in the 2 circuits double micro switch
- High mechanical intensity with the heat resistance, oil proof and dust protection structure
- Various actuators (8 types) provide wide application
- IP67 protective structure (when using the company product HYC-M1 in wire opening)
- Check the operation state on the outside by attaching the operation indicator.



Control switch
Combination
display light

Power switch
Main switch
Cam switch

Limit switch
Micro switch

Hoist switch
Foot switch
Mono lever switch

Sign tower
Signal light

Buzzer
Terminal block
Fuse holder

Control box
Cable connector

Discontinued
Products

●● Suffix code

Model	Code	Description
HY-M90	<input type="checkbox"/> <input type="checkbox"/>	Limit switch (No operation indicator)
HY-LM90	<input type="checkbox"/> <input type="checkbox"/>	Limit switch (Operation indicator attachment type)
Actuator (operation part)	2	Roller Plunger Type
	3	Ball Plunger Type
	4	Roller Adjustable Lever Type
	7	Adjustable Rod Wire Type
	8	Roller Lever Type
	8L	Fork Roller Lever
	8R	Ø50 Roller Lever Type
	9	Coil Spring Type
Operation indicator classification (HY-LM90□□)		No operation indicator
	A	a.c indicator attachment type
	D	d.c indicator attachment type

●● Operation indicator attachment type classification

- M900 series limit switch is generally composed of the product with operation indicator and without operation indicator. Also divided into the a.c type and d.c type operation indicator.
- It can be used as an operation indicator just by changing the cover of limit switch. It does not need the separate connection and it selects ON/OFF by rotating the holder 180 degree.

Voltage	a.c operation indicator (250 V a.c)	d.c operation indicator (24 V d.c)
Model	HY-LM90□A (a.c)	HY-LM90□D (d.c)
Indicator type	Neon lamp	L,E,D
Leakage current	approx 1.2 mA (250 V a.c)	approx 1.0 mA (24 V d.c)

●● Ratings

Rated voltage		Rated electro current (A)			
		Resistive load	Inductive load	electric motor load	
				N.C	N.O
a.c	125 V	15	10	3	1.5
	250 V	10	6	2	1
	480 V	3	2	1.5	0.75
d.c	8 V	15	10	–	–
	14 V	15	10	–	–
	30 V	6	5	–	–
	125 V	0.4	0.05	–	–
	250 V	0.2	0.03	–	–

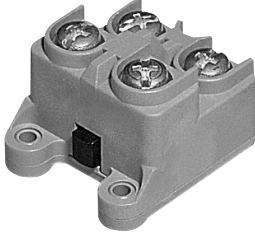
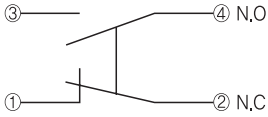
※ In case of electric magnetic coil and incandescent lamp load then it is same as the electric motor load.

●● Specification

Contact structure	M4 screw tightening terminal, 2 circuits double type (1a1b)	
Contact material	AgNi	
Protective structure	IP67 (Only when using our company product HYC-M2 in the wire opening)	
Operation indicator	a.c : Neon lamp, d.c : LED (only with the HY-LM series)	
Rated current(Ie)	6 A 250 V a.c (AC-15, DC-13)	
Dielectric strength	2,000 V a.c 50/60 Hz for 1 min (between the terminal and non-recharging metal part)	
Insulation resistance	Min 100 M Ω (500 V d.c insulated ohmmeter)	
Contact resistance	Max 50 M Ω (default value)	
Rated voltage(Ue)	250 V a.c, 30 V d.c	
Actuator intensity	5 times larger than O.F (force required to operate) 1min to the, operating direction	
Vibration	Double amplitude 1.5mm, frequency 10 ~ 55 Hz, continuously 2 hour	
Shock	1,000 % \ddot{g} (durability), 300 % \ddot{g} (malfunction)	
Allowable operation speed	0.1 ~ 1 % \ddot{g} (without damaging the actuator)	
Life expectancy	Mechanical	Min 1million times (open/close frequency 120 times/min)
	Electrical	Min 300 thousand times (open/close frequency 20 times/min)
Ambient temperature	-10 ~ 70 °C	
Ambient humidity	45 ~ 95 % R.H.	
Weight	Approx 350 g (included the box with HY-M904)	

HY-M900/HY-LM900 series



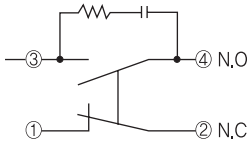
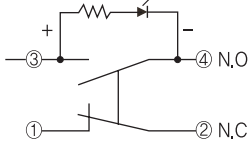
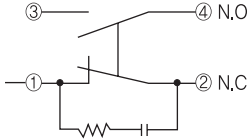
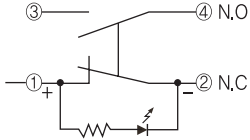
●● Built in type micro switch

Appearance (LS-10)	Connection diagram
	

Control switch
Combination display light

Power switch
Main switch
Cam switch

●● Cover for operation indicator and internal connection diagram

a.c	d.c
	
<p>L,ON when Normal close (default)</p> 	<p>L,ON when Normal close (default)</p> 
<p>L,ON when Push</p> 	<p>L,ON when Push</p> 

Limit switch
Micro switch

Hoist switch
Foot switch
Mono lever switch

Sign tower
Signal light

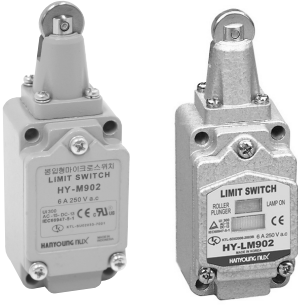
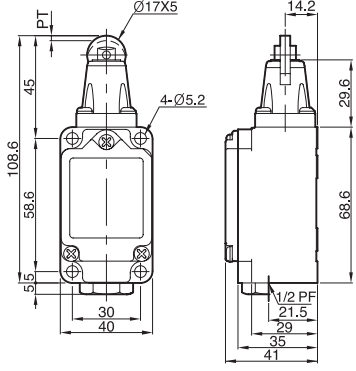
Buzzer
Terminal block
Fuse holder

Control box
Cable connector


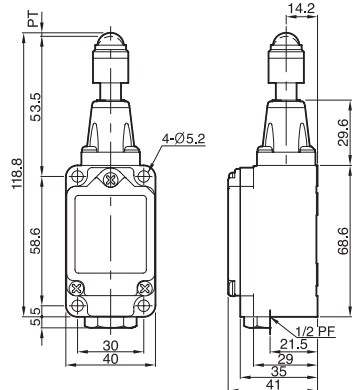
Discontinued
Products

Dimension (unit : mm)


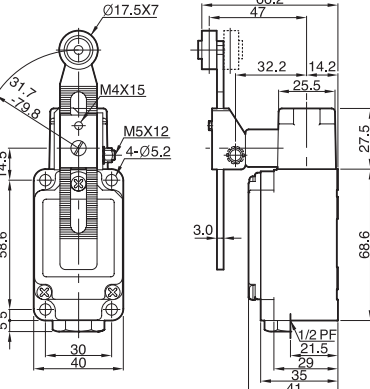
■ Roller Plunger

Appearance	Dimension	Operation characteristic
 <p data-bbox="228 755 321 778">HY-M902</p> <p data-bbox="396 755 499 778">HY-LM902</p>		<p data-bbox="1006 517 1220 540">O.F max : 28 N (2857 gf)</p> <p data-bbox="1006 556 1220 579">R.F min : 8 N (816 gf)</p> <p data-bbox="1006 595 1120 618">P.T : 2.0 mm</p> <p data-bbox="1006 633 1163 656">M.D max : 1.0 mm</p>

■ Ball Plunger


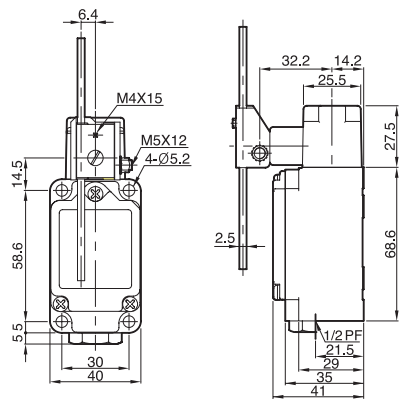
Appearance	Dimension	Operation characteristic
 <p data-bbox="228 1261 321 1284">HY-M903</p> <p data-bbox="396 1261 499 1284">HY-LM903</p>		<p data-bbox="1006 1020 1220 1043">O.F max : 28 N (2857 gf)</p> <p data-bbox="1006 1058 1220 1081">R.F min : 8 N (816 gf)</p> <p data-bbox="1006 1097 1120 1120">P.T : 2.0 mm</p> <p data-bbox="1006 1136 1163 1159">M.D max : 1.0 mm</p>

■ Roller Adjustable Lever


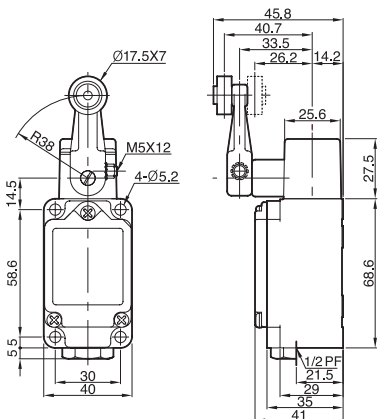
Appearance	Dimension	Operation characteristic
 <p data-bbox="228 1771 321 1794">HY-M904</p> <p data-bbox="396 1771 499 1794">HY-LM904</p>		<p data-bbox="1006 1516 1220 1539">O.F max : 14 N (1428 gf)</p> <p data-bbox="1006 1555 1220 1578">R.F min : 2.1 N (214 gf)</p> <p data-bbox="1006 1593 1135 1617">P.T : 15° ±5°</p> <p data-bbox="1006 1632 1135 1655">M.D max : 12°</p> <p data-bbox="1006 1671 1092 1694">T.T : 40°</p>

HY-M900/HY-LM900 series


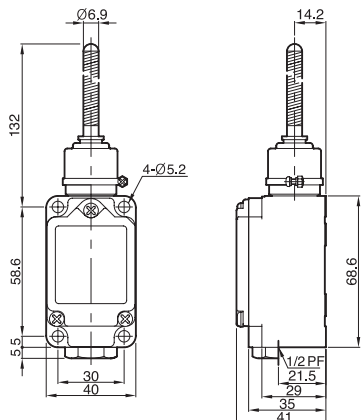
■ Rod Lever

Appearance	Dimension	Operation characteristic
 <p>HY-M907 HY-LM907</p>		<p>O.F max : 1.5 N (153 gf) R.F min: 0.25 N (25 gf) P.T : 15° ±5° M.D max : 12° T.T : 40°</p>

■ Roller Lever

Appearance	Dimension	Operation characteristic
 <p>HY-M908 HY-LM908</p>		<p>O.F max : 14 N (1428 gf) R.F min: 2.1 N (214 gf) P.T : 15° ±5° M.D max : 12° T.T : 40°</p>

■ Coil Spring

Appearance	Dimension	Operation characteristic
 <p>HY-M909 HY-LM909</p>		<p>O.F max : 1.5 N (153 gf) P.T : 20.0 ±10.0 mm</p>

Control switch
Combination display light

Power switch
Cam switch

Limit switch
Micro switch

Hoist switch
Foot switch
Mono lever switch


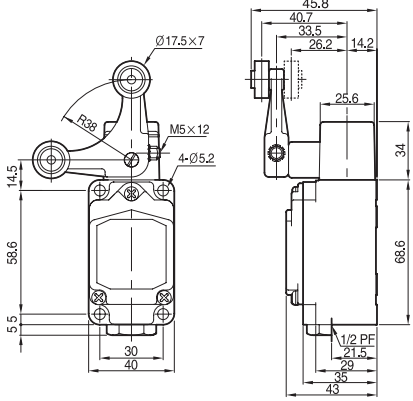
Sign tower
Signal light

Buzzer
Terminal block
Fuse holder


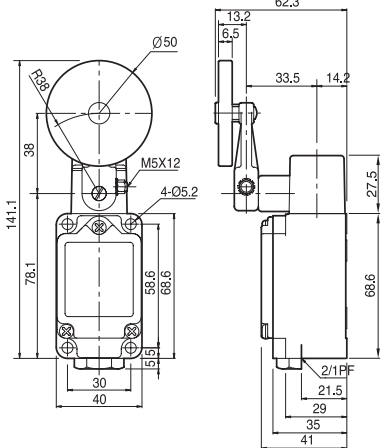
Control box
Cable connector

Discontinued Products

■ Fork Roller Lever

Appearance	Dimension	Operation characteristic
 <p data-bbox="268 691 374 718">HY-M908L</p>		<p data-bbox="1002 459 1225 486">O.F max : 11.8N(1200gf)</p> <p data-bbox="1002 498 1130 525">P.T : 50° ±5°</p> <p data-bbox="1002 537 1130 564">O.T max : 12°</p> <p data-bbox="1002 575 1130 602">T.T : 90° ±5°</p>

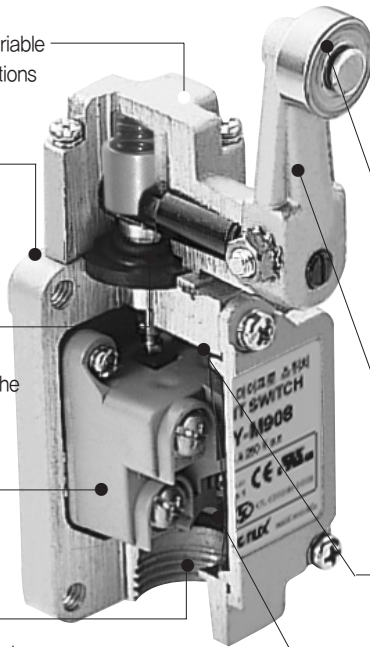
■ Ø50 Roller Lever

Appearance	Dimension	Operation characteristic
 <p data-bbox="268 1259 374 1286">HY-M908R</p>		<p data-bbox="1002 989 1216 1016">O.F max : 14 N (1428 gf)</p> <p data-bbox="1002 1027 1196 1054">R.F min: 2.1 N (214 gf)</p> <p data-bbox="1002 1066 1116 1093">P.T : 15° ±5°</p> <p data-bbox="1002 1105 1116 1132">M.D max : 12°</p> <p data-bbox="1002 1143 1073 1170">T.T : 40°</p>

HY-M900/HY-LM900 series

Structure

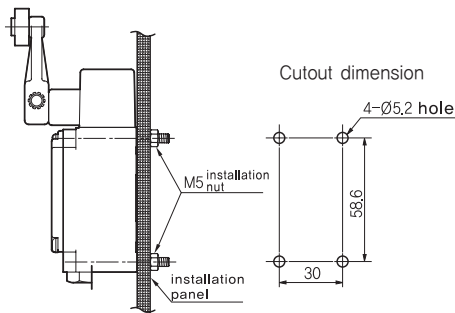
- **Head** : Al die casting roller lever type, variable roller lever type : Attach in any of 4 directions by unloosening 4 screws.
- **Case** : Al die casting, high mechanical durability and has a heat resistance, oil-proof and dust protective structure.
- **Plunger** : Accurate manufacturing which provides excellent reciprocating motion. It makes the operation of built-in switch very smooth.
- **MICRO S/W** : long mechanical life expectancy
- **Wire opening** : Connector screw is PF 1/2 common parallel screw. When using it with our company connector (M1 and M2) then it will be sealed more tightly.



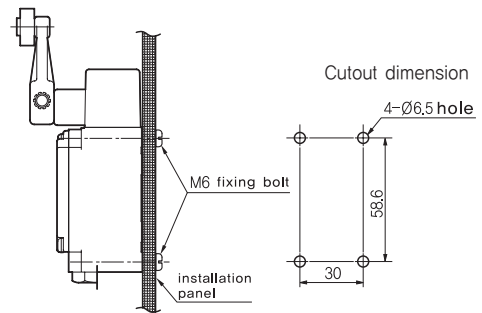
- **Roller** : Excellent hardness and abrasion resistance
- **Lever** : Al die-casting (M908) variable roller lever type, variable rod type and roller lever type can set the lever position within any position (360 degree)
- **Cover Seal** : O ring. It tightens the cover properly which helps it to seal the area
- **Insulating paper** : Excellent insulation

Installation method

■ Front installation



■ Back installation



Control switch
Combination
display light

Power switch
Main switch
Cam switch

Limit switch
Micro switch

Hoist switch
Foot switch
Mono lever switch

Sign tower
Signal light

Buzzer
Terminal block
Fuse holder

Control box
Cable connector

Discontinued
Products